



### Standard Features:

- Ultra High Intensity
- Short Flash Duration with uniform output to 20Hz
- 1:10 Variable Intensity Range
- Long Lamp Life
- 0.630 ID Fiber Interface Standard

### Accessories & Options:

- Broad Range of Fiber Optic Interfaces Available

### Model I-260 Fiber Optic Strobe

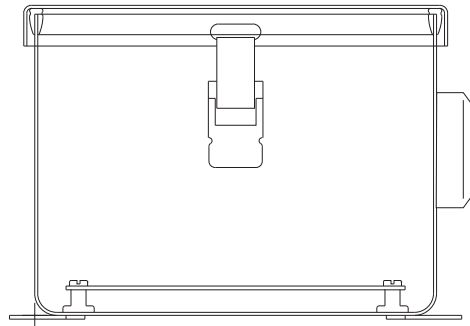
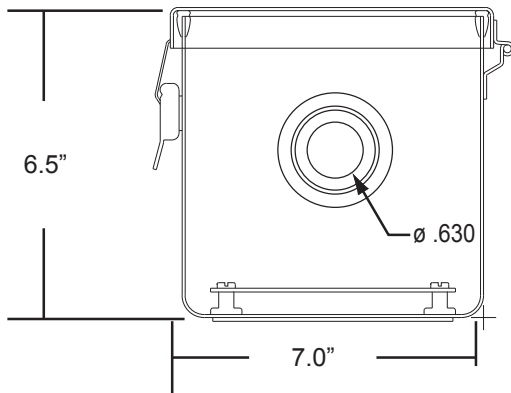
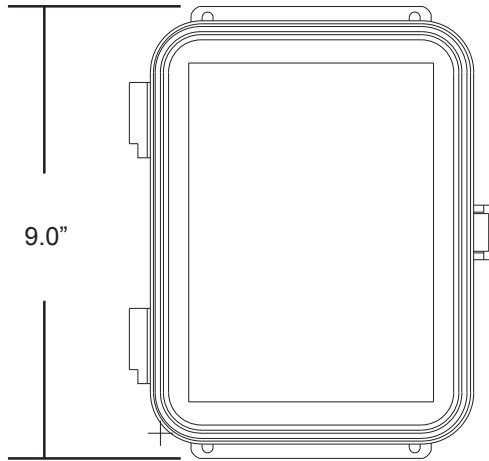
#### Technical Information

Flash Repetition Rate	I-260 @ 0-20 flashes per second max.
Remote Intensity Control	0-6V DC input
Internal Intensity Control	Potentiometer providing 1:10 intensity range
Turn-on Delay Command to Flash	2 microsecond typical
Trigger Input (Internal)	Push button switch
Trigger Input (External)	TTL compatible, +5V@20mA internal sync triggers on positive going edge
Power Supply	40Watts
Power Line Requirement	115V AC or 230V AC, 50/60Hz (factory set, specify on order)
Input Power to Flash Lamp	Maximum 2.16 joules/flash @ 20Hz
Light Output Pulse	<25 microsecond pulsewidth @ all energy settings at 1/3 of peak energy
Lamp Failure Signal Output	12V with 5 microsecond pulsewidth
Lamp Life	10 <sup>8</sup> flashes while maintaining a minimum of 70% initial intensity
Enclosure	NEMA-12 rated
Weight	11.25 lbs. (5.1kg)

#### Model & P/N      Option Description

I-260 002826000000	115V AC, 0.630" Nosepiece, NEMA-12 Enclosure, North American Line Cord
-----------------------	--

# I-260 Dimensions:



**Dolan-Jenner**  
*industries*

Dolan-Jenner Industries  
159 Swanson Rd.  
Boxborough, MA 01719 USA

Phone: 800.833.4237  
Fax: 978.264.0292  
Email: [support@dolan-jenner.com](mailto:support@dolan-jenner.com)

**1.800.83.FIBER**

**WWW.DOLAN-JENNER.COM**