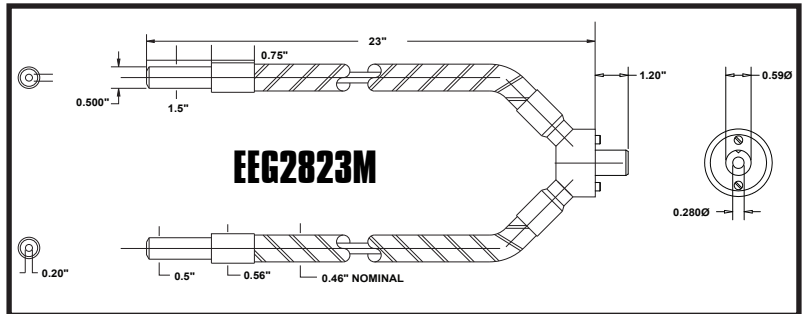
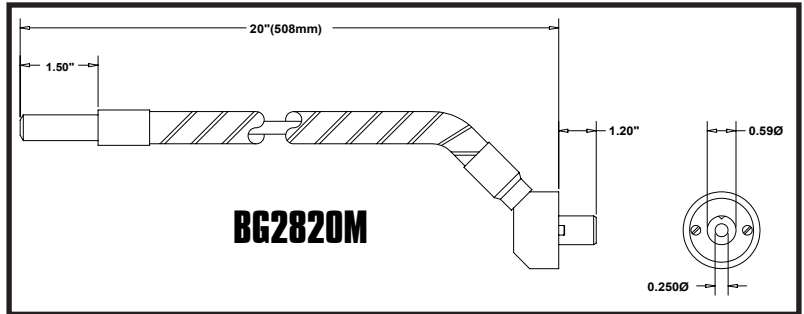




### MI-150 Gooseneck Systems Single or Dual Gooseneck Illumination



#### Standard Features:

- Self-Supporting Gooseneck
- Adjustable Light Positioning
- LH-759 Light-Focusing Lens
- Low Noise, Low Vibration
- Easy Access Lamp Change
- Stackable Housing
- Solid state intensity control (0-100%)
- 3-Year Warranty
- UL/C-UL, CE

#### Accessories & Options:

- 230V Input
- LHP-PLZ Polarizer for LH-759 Lens
- Filter Holder, with IR and Color Filter Options

#### Model Number

MI-150	U.S./Canada: 115V Cord
MI-1501	Europe: 230V Cord

#### Option Description

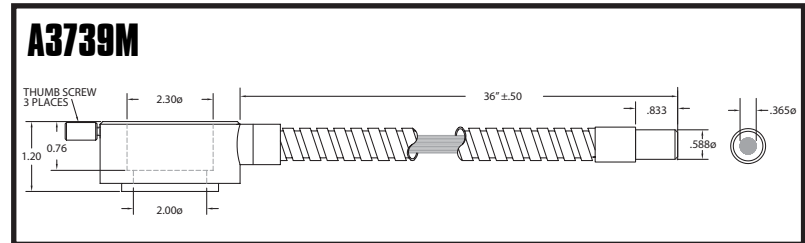
MI-150SG	BG2820M Standard Single Gooseneck, (1) LH759 Focusing Lens
MI-150SG1	230V Cord, BG2820M Standard Single Gooseneck, (1) LH759 Focusing Lens
MI-150SGF	Option SG, Plus IR Filter & Holder
MI-150SG1F	230V Cord, Option SG, Plus IR Filter & Holder
MI-150DG	EEG2823M Standard Dual Gooseneck, (2) LH759 Focusing Lenses
MI-150DG1	230V Cord, EEG2823M Standard Dual Gooseneck, (2) LH759 Focusing Lenses
MI-150DGF	Option DG, Plus IR Filter & Holder
MI-150DG1F	230V Cord, Option DG, Plus IR Filter & Holder

**For Full MI-150 Technical Detail, Please Refer to MI-150 Series Illuminators Page.**



# MI-150 Ringlight Systems

## Ringlight Illumination



### Standard Features:

- High Intensity at High Magnifications and Long Working Distances
- 360° Shadow-Free Illumination
- Low Noise, Low Vibration
- Easy Access Lamp Change
- Stackable Housing
- Solid state intensity control (0-100%)
- 3-Year Warranty
- UL/C-UL, CE

### Accessories & Options:

- 230V Input
- Microscope-Specific, Direct Fit Adapters
- Filter Holder, with IR and Color Filter Options

### Model Number

**MI-150** U.S./Canada: 115V Cord

**MI-1501** Europe: 230V Cord

### Option Suffix Description

**MI-150RL** A3739M Standard Ringlight

**MI-150RL1** 230V Cord, A3739M Standard Ringlight

**MI-150RLF** Option RL, plus IR filter & holder

**MI-150RA** Fits Nikon SMZ Series Microscope

**MI-150RB** 66 mm ID Universal Fit, 25° Transition

**MI-150RC** 66 mm ID Universal Fit, Straight Transition

**MI-150RD** Fits Olympus SZ30, -40, -50 Series Microscopes

**MI-150RG** Fits Leica S4E, S6D/E, S8APO Microscopes

**MI-150RU** Fits Unitron ZST, ZSB (w/o aux lens) Microscope

**For Full MI-150 Technical Detail, Please Refer to MI-150 Series Illuminators Page.**

**To Determine the Proper Microscope Adapter Needed for Your Application, Please Refer to Ringlight Adapters Page.**

**No Fiber Optic Interface Adapters Required for MI-Series**

**See Ring Light Section for Full Technical Detail**

# Dolan-Jenner

industries

Dolan-Jenner Industries

159 Swanson Rd.

Boxborough, MA 01719 USA

Phone:

800.833.4237

Fax:

978.264.0292

Email: support@dolan-jenner.com

**1.800.83.FIBER**

**WWW.DOLAN-JENNER.COM**