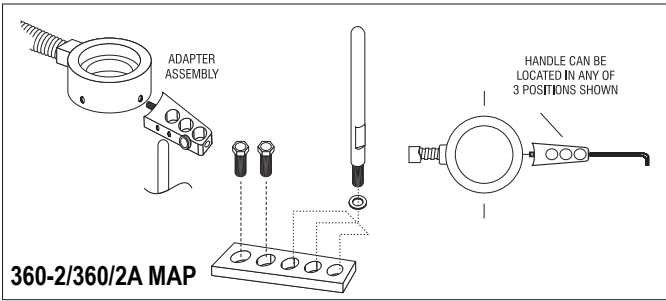
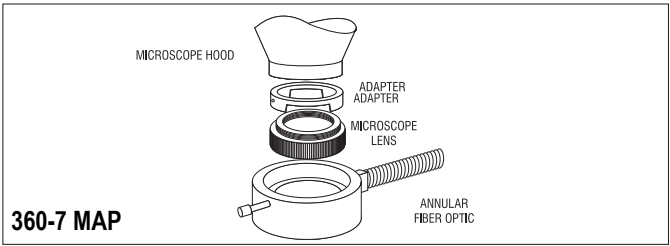


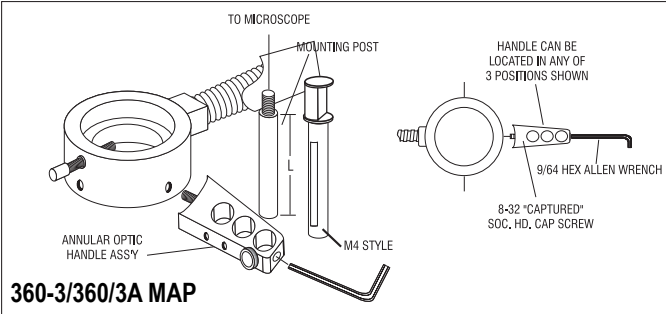
Manufacturer	Model Number	Ringlight	Adapter Order Code
Aus Jena	M-1, M-2, M-3	A3739P, A3739M	360-10 MAP
Aus Jena	Technival 2/Citoval 2	A3739P, A3739M	NOT REQUIRED
LEICA Cambridge Instruments	(B&L) Stereo or Stereozoom 1 thru 5, GZ-4	A3739P, A3739M	360-4 MAP
LEICA Cambridge Instruments	(B&L) Stereozoom 6 & SZ-4	A3739P, A3739M	360-4A MAP
LEICA Cambridge Instruments	(B&L) Stereozoom 6 & SZ-4 Auxiliary Lenses .3X, .5X, .75X, 1.5X, 2.0X & Lens Shield	A3739P, A3739M	360-5 MAP
LEICA Cambridge Instruments	(B&L) Stereozoom 7	A3739P, A3739M	360-3 MAP
LEICA Cambridge Instruments	(B&L) Stereozoom 7, Low Magnification	A3739P, A3739M	360-3A MAP
LEICA Cambridge Instruments	All Cycloptic (AO) Series, Stereostar/Zoom Models w/.5X Auxiliary Lens	A3739P, A3739M	360-5 MAP
LEICA Cambridge Instruments	(AO) Stereostar/zoom Models w/1.25X, 1.5X or Lens Shield	A3739P, A3739M	360-6 MAP
LEICA Cambridge Instruments	(AO) Stereostar/zoom Models 569, 570, 580	A3739P, A3739M	360-6B MAP
LEICA Cambridge Instruments	GZ-6 .5X, 2.0X	LP25A36M	NOT REQUIRED
LEICA Cambridge Instruments	S4E, S6D/E, S8APO	LP25Li36M	NOT REQUIRED
LEICA Cambridge Instruments	M10	A3739P, A3739M	360-12A MAP
LEICA Cambridge Instruments	Leica S4/S6 ring light	LP25Li36M	NOT REQUIRED
Edmund Scientific	37659, 38334, 38335	A3739P, A3739M	360-6 MAP
Edmund Scientific	85056, 37691	A3739P, A3739M	360-12A MAP
Meiji	EMZ Series	A3739P, A3739M	NOT REQUIRED
NIKON	SMZ-U, SMZ10A, SMZ1500, SMZ1000 w/2X Auxiliary Lens	700009570036	NOT REQUIRED
NIKON	SM, SMZ, SMZ-10	A3739P, A3739M	360-5 MAP
NIKON	SMZ 645, SMZ660, SMZ660V, SMZ1000 w/.5X to 1.5X Auxiliary Lenses	A645NK41	LOCKING RING INCLUDED
NIKON	SMZ800	LPA25A36M	NOT REQUIRED
NIKON	SMZ-1/1B, SMZ-DOD, SMZ-2B/2T	A3739P, A3739M	360-11 MAP
OLYMPUS	SZH	A3739P, A3739M	NOT REQUIRED
OLYMPUS	SZ-II, SZ-III, SZ-III-Tr, JM/JM-Tr, SZ-30, SZ-40, SZ-60 Models with .5X & .75X Auxiliary Lenses	A3739P, A3739M	360-7 MAP
OLYMPUS	SZ-II, SZ-III, SZ-III-Tr, JM/JM-Tr W/O AUX LENS	A3739P, A3739M	360-6A MAP
OLYMPUS	SZ-30, SZ-40, SZ-60 Models without auxiliary lenses, SZ-51, SZ-61	AOLM48	LOCKING RING INCLUDED
OLYMPUS	SZX9, SZX12, SZ-7	700009570036	NOT REQUIRED
OLYMPUS	VM, VMZ	A3739P, A3739M	360-12 MAP
POLAROID	Model MP4 Camera	A3739P, A3739M	360-7A MAP
UNITRON	FSB, ZSB & ZST	A3739P, A3739M	360-9 MAP
WILD	M-3, M3Z Plan, M-4, M-4A, M-5A, M-7A, M7S, M8,	A3739P, A3739M	NOT REQUIRED
WILD	M8, M400, MZB, Lower Magnification Only	A3739P, A3739M	360-12A MAP
WOLFE	Advanced & Zoom Models	A3739P, A3739M	360-9 MAP
ZEISS	SR Scopes & Aux Lenses: F=50, 100, 125, 175,	A3739P, A3739M	360-9 MAP
ZEISS	SV8 & IV/B	A3739P, A3739M	360-5 MAP
ZEISS	Microscopes with Objective O.D.s from 65-66.5mm	A3739P, A3739M	360-12A MAP
ZEISS	GSZ, STEMI 2000	A3739P, A3739M	NOT REQUIRED
UNITRON	ZST, ZSB 48" Ringlight	AUNi48	LOCKING RING INCLUDED



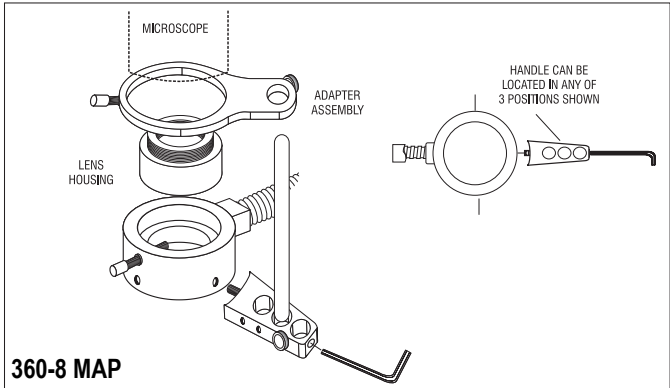
360-2/360/2A MAP



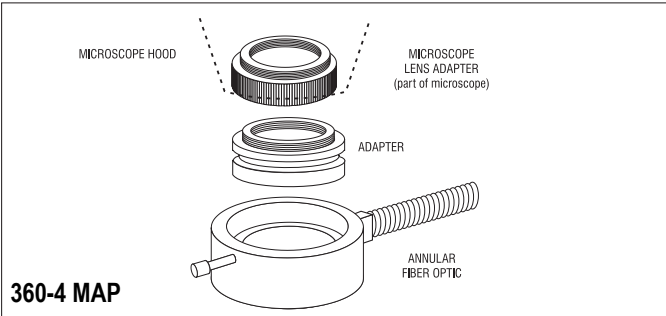
360-7 MAP



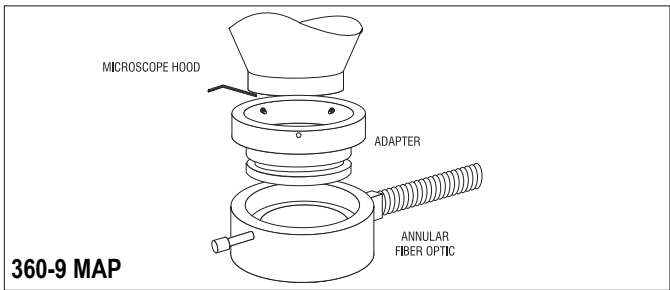
360-3/360/3A MAP



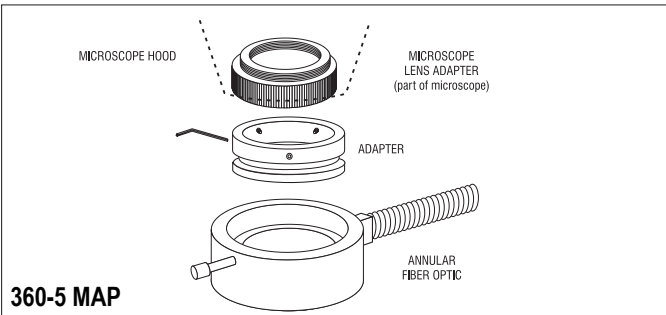
360-8 MAP



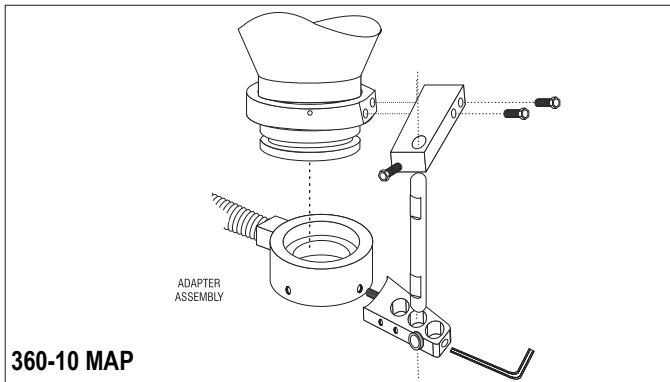
360-4 MAP



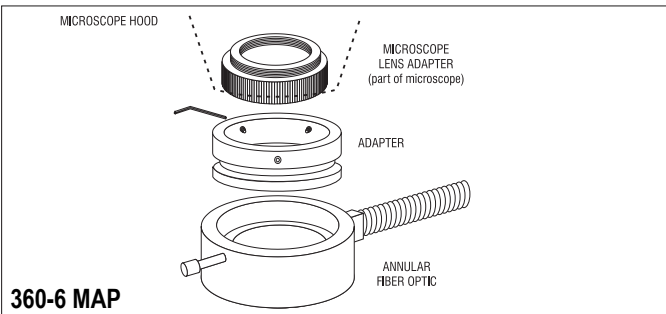
360-9 MAP



360-5 MAP



360-10 MAP



360-6 MAP

Dolan-Jenner
industries

Dolan-Jenner Industries
159 Swanson Rd.
Boxborough, MA 01719 USA

Phone: 800.833.4237
Fax: 978.264.0292
Email: support@dolan-jenner.com

1.800.83.FIBER

WWW.DOLAN-JENNER.COM