

## RS-232 INTERFACE



Dolan-Jenner's RS-232 Remote Control Module works with our DC Regulated A-241, A-242, PL-900 and DC950 Series Illuminators.

Enhance your computer controlled capabilities. This small interface module allows easy integration and programming into your system.

## RS-232 Remote Control Module For DC Regulated Illuminators

### RS-232 Information

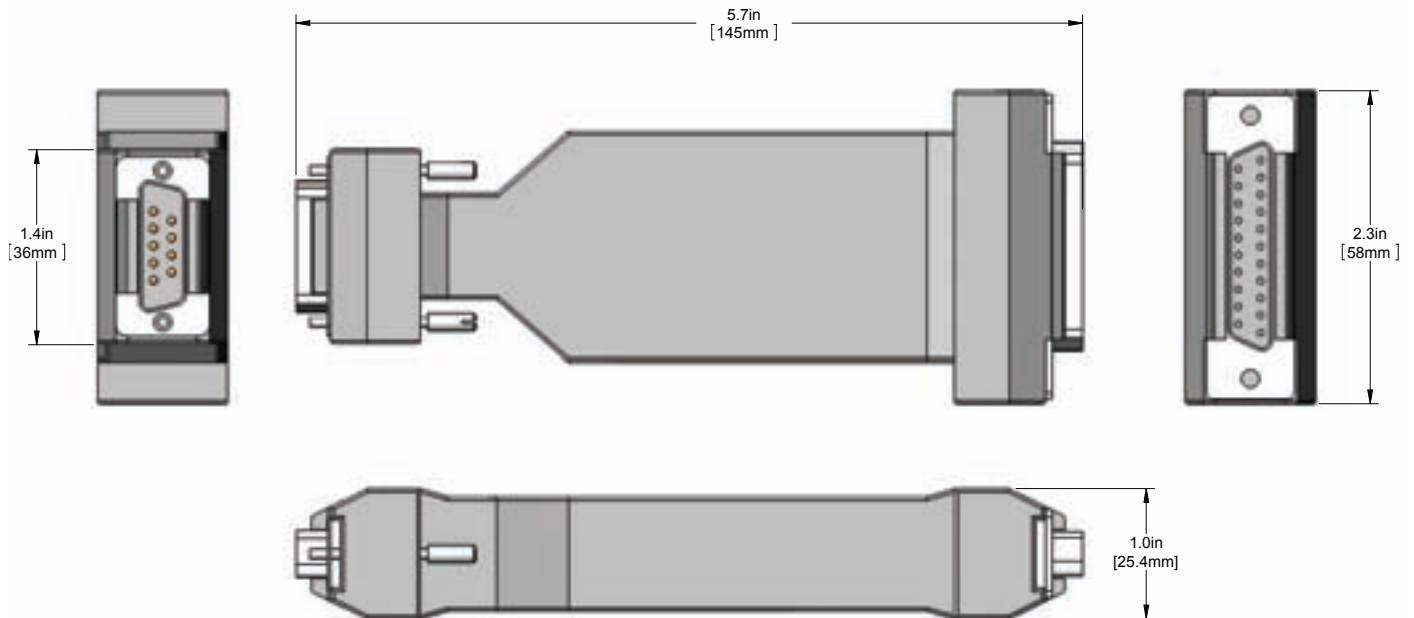
Model Number:	RCM-1407
Part Number:	002920061000
Dimensions:	5.25" x 5.50" x 7.50"; 9 lbs.

### RS-232 Input

Baud Rate:	9600
Stop Bits:	1
Data Bits:	8
Parity:	None
Flow Control:	None
Type:	DCE
Connector:	9-Pin F D-Sub

### RS-232 Output

Output:	Data Byte: 8 bits parallel
Connector:	25-pin M D-Sub





## Digital to Analog Converter For DC Regulated Illuminators

### RS-232 Information

Model Number:	RCM-1407
Part Number:	002920061000
Dimensions:	5.25" x 5.50" x 7.50"; 9 lbs.
Input Connector:	9-Pin F D-Sub
Output Connector:	25-pin M D-Sub

This Remote Control Module is an 8-bit, latching, parallel input Digital to Analog converter designed for use with Dolan Jenner illuminators. The Remote Control Module is NOT Centronics parallel compatible. Refer to the pinout below or on the label on the module for connection details.

