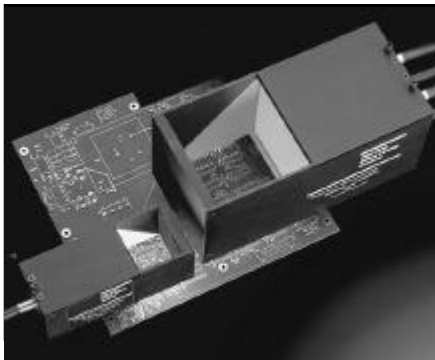


STANDARD ILLUMINATORS



Fiber-Lite Diffuse Lighting (FLD) Fiber Optic Series

The FLD (Fiber-Lite® Diffuse) optical assemblies provide wide angle, on-axis, diffuse illumination housed in factory hardened, industrial rugged packages. The FLD's unique design allows the camera to view the object perpendicularly through the unit. As a result, highly reflective objects with uneven surfaces can reflect light to the camera from every point on their surface, eliminating glints and shadows. The AI optical assemblies provide more uniform, diffuse illumination than most lighting methods.

FEATURES:

Diffuse illumination of reflective targets

Factory hardened, industrial rugged construction/ mounting

High intensity white light

Selection from a variety of illuminators including quartz halogen & strobes

Cool temperature operation

No vibration or noise generation

Clean room compatible

Visible band-pass filtering capability for color

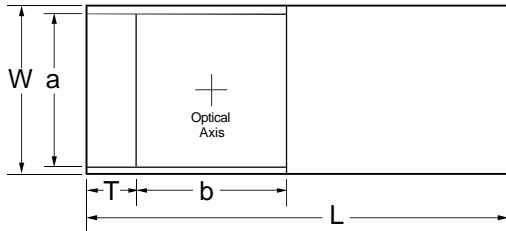
APPLICATIONS:

- *Inspection of specular-finish surfaces including, silicon wafers and CD-ROMs*
- *High contrast illumination of metallic parts*
- *Character reading with wide variety of parts and markings*
- *Electronic component inspection*
- *Solder pad imaging on printed circuit boards*
- *Improved accuracy of surface mount component registration*
- *Printed artwork verification*

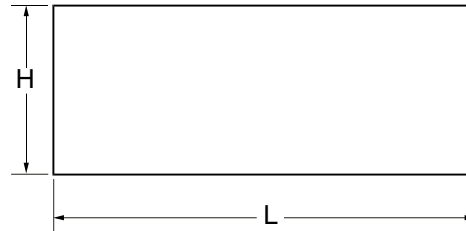
STANDARD ILLUMINATORS

Mechanical Specifications:

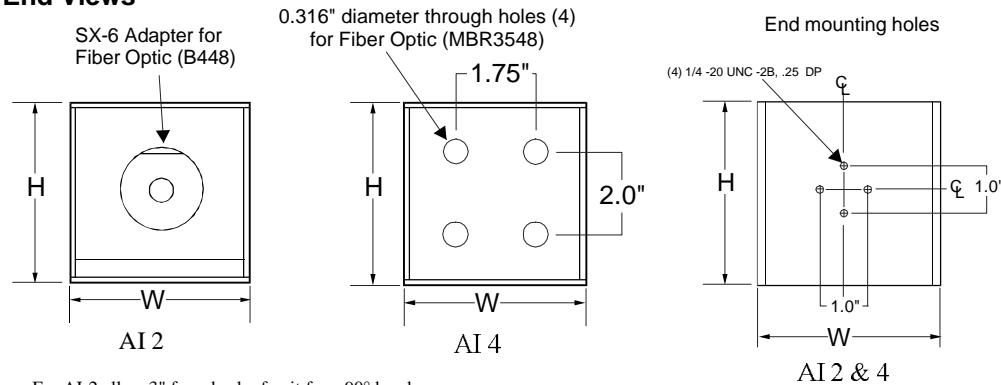
Top View



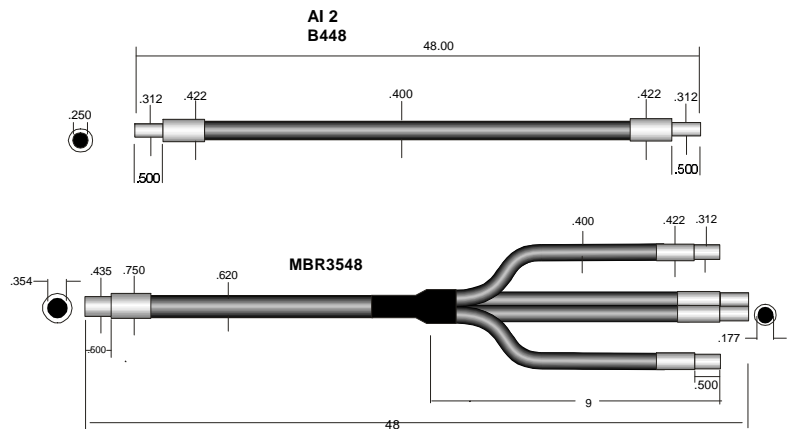
Side View



End Views



- For AI-2 allow 3" from back of unit for a 90° bend. The fiber has a minimum bend radius of of 1.5" and the bend should not be attempted for the first .75" after the termination
- For AI-4 allow 3.5" from back of unit for a 90° bend



PRODUCT SALES CODES:

AI Optical Assembly Order #	a	b	L	W	H	T
AI 2	2.0"	1.75"	5.75"	2.25"	2.0"	0.38"
AI 4	4.0"	3.70"	00"	4.25"	4.0"	0.38"